

# Eagle Net Assembly

## Safety Reminder:

- 1. Keep pets and unsupervised children away*
- 2. Keep spectators out of swing range*
- 3. Increase distance from target only with proficiency increase*

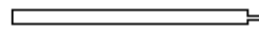
NETTING: (1) 7H x 11W x 3½D

(1) Heavy Duty Target Net

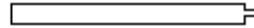
TUBING: (4) #2 Poles



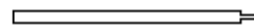
(2) #3 Poles



(2) #4 Poles



(2) #1 Poles



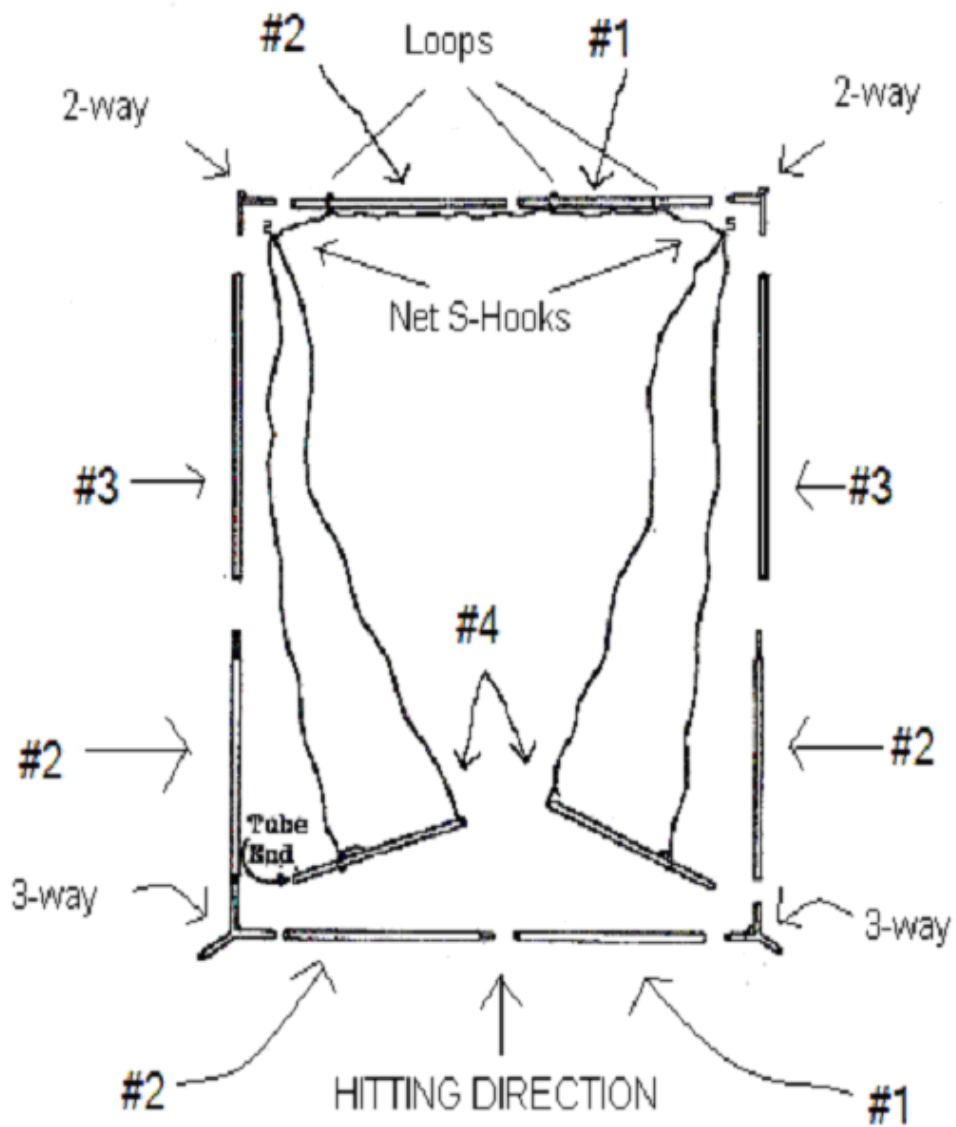
FITTINGS: (2) 3-way fittings



(2) 2-way fittings



1. Remove plastic from poles and take net out of the bag
2. Assemble frame according to the numbers in Figure 1
3. Hang net by attaching the S-hooks to the 2-way fittings and the holes in the #4 poles.
4. Slide plastic tubes underneath the #4 poles.
5. Hang heavy duty net by pulling the top corner cords through the large net and tie cords to the frame.



- Stand up the net. It should look like the picture below when everything is complete.

