

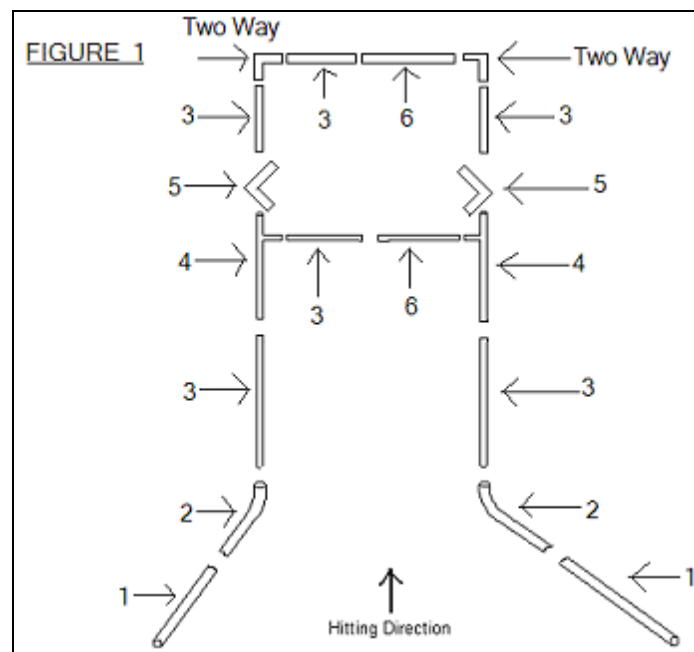
# Double Eagle Net Assembly

## Safety Reminder:

1. *Keep pets and unsupervised children away*
2. *Keep spectators out of swing range*
3. *Increase distance from target only with proficiency increase*

## Step 1: Erect Frame

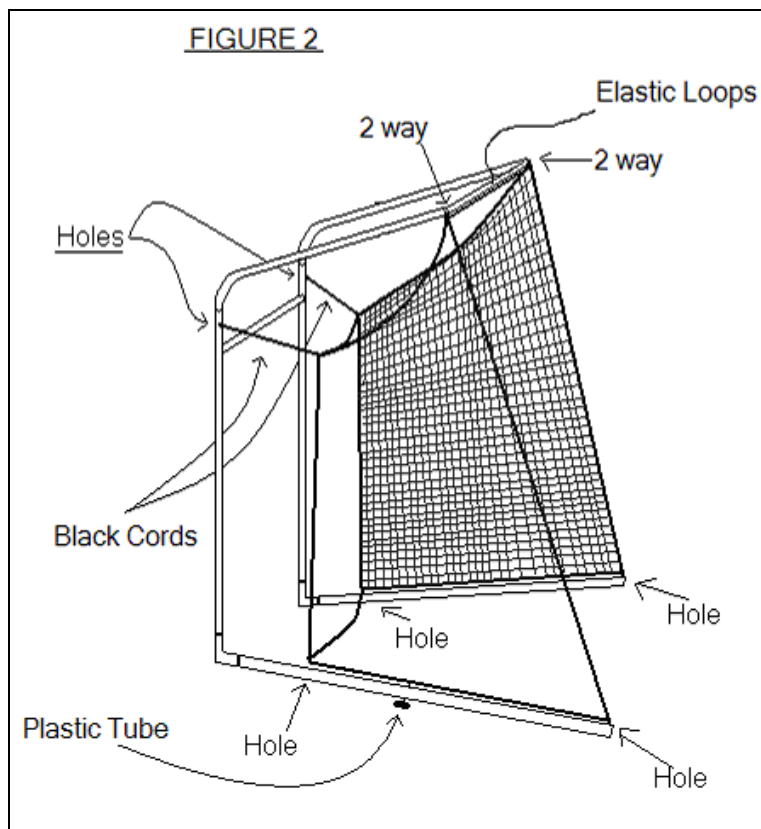
1. Remove plastic from poles and take nets out of the bag
2. Assemble frame according to the numbers in Figure 1
3. Hang nets by attaching the S-hooks to the 2-way fittings, the #5 poles, and the holes in the #1 poles. See Figure 2.
4. Slide plastic tubes underneath the #1 poles. Patch should face player.



## Step 2: Hang the net

Figure 2 shows how the net should look once it is hung.

1. Use the black elastic loops to secure the top of the net to the top of the frame.



2. Hang heavy duty net by pulling the top corner cords through the Double Eagle netting and hook the S-hooks to the frame. Slide the plastic tubes on the bottom corner cords underneath the #2 poles.
3. To hang target, position at desired height then attach the three cords to the frame, as shown below in Figure 3.

